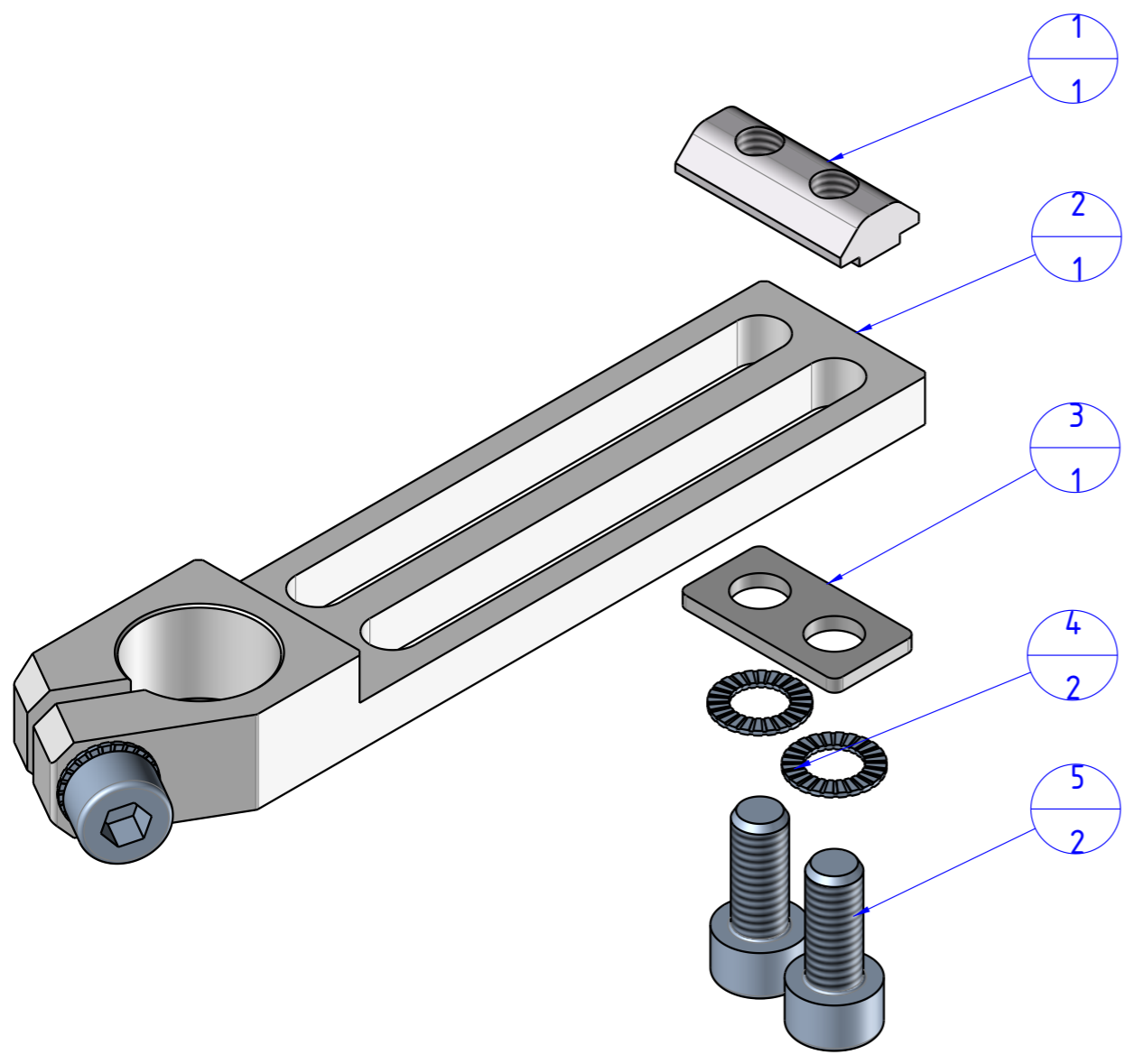
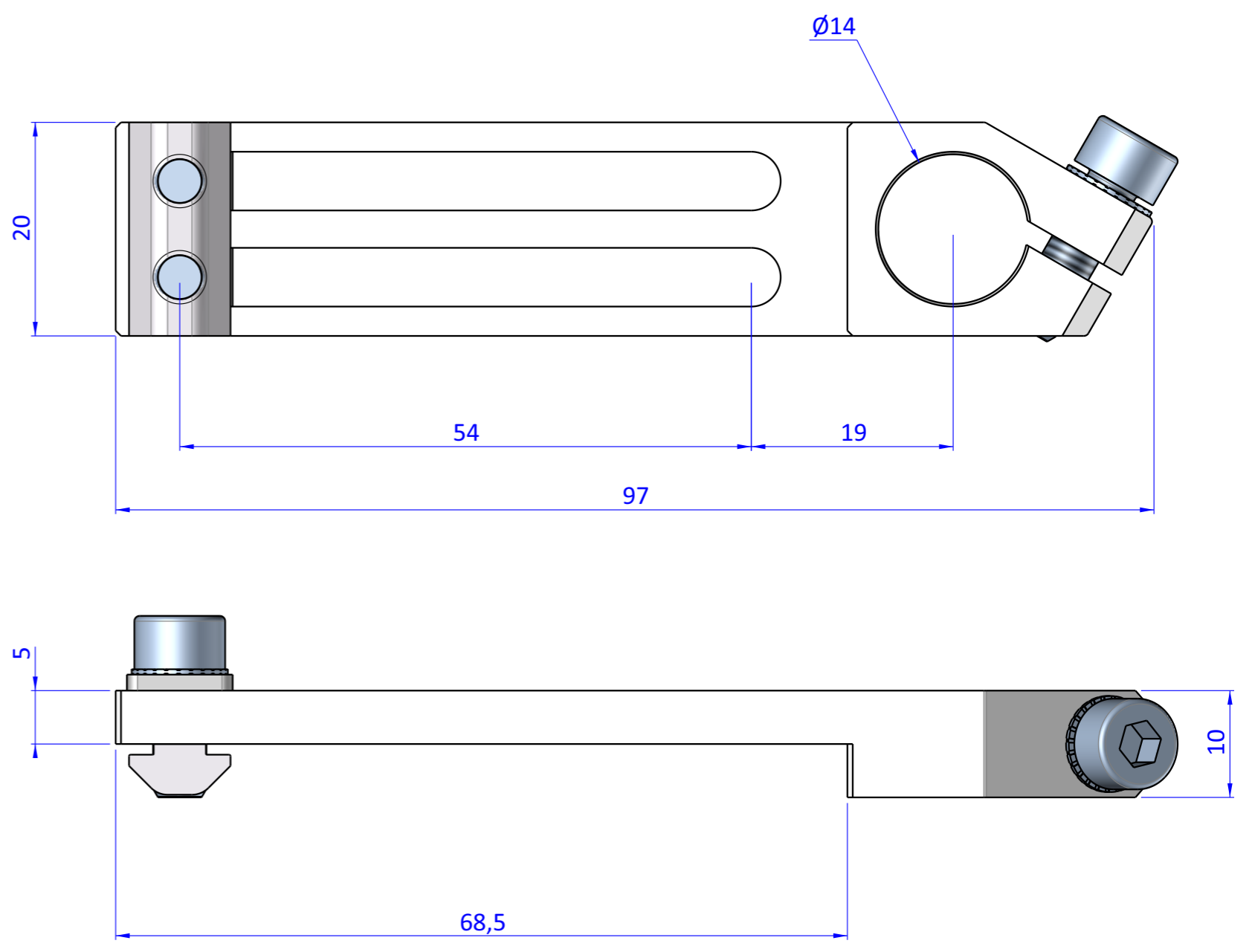

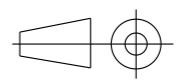


THE PROPERTY OF THE DRAWING IS ESTABLISHED BY LAW. IT IS FORBIDDEN TO PRODUCE OR SHOW IT TO THIRD PART - WITHOUT A WRITTEN AGREEMENT.

Item	Name	Q.ty
1	CA.GWP.5.9.F	1
2	CA.WSL.1450.U	1
3	R.05.09	1
4	R.5.SCH	2
5	V.TCE5x12	2



Format A3
UNI 936-76

 FPS FPSERVICES AUTOMATION			DESIGNED FROM FPS Automation	REVIEW A
GENERAL TOLERANCE UNI - ISO 2768 CLASSE f	DESCRIPTION CA.WSL.1450.U.5	DATE 18/11/2022	WEIGHT 0,031kg	CODE CA.WSL.1450.U.5